

37° FLARE TUBE FITTINGS

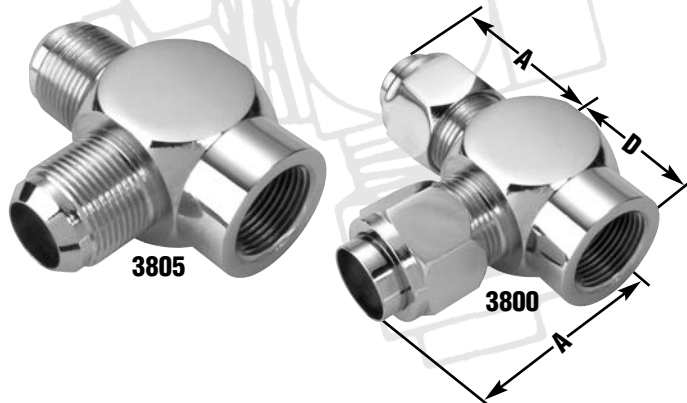
T A P E R E D P I P E T H R E A D

37° FLARE TUBE FITTINGS

3805 / 3800 • Female Run Tee

Body Only Part No.	Complete Assem. Part No.	Tube O.D.	Female Pipe Thread	"A" (Tube Leg)	"D" (Female Pipe Leg)
3805-4-2-4	3800-4-2-4	1/4"	1/8"	17/16"	21/32"
3805-5-2-5	3800-5-2-5	5/16"	1/8"	115/32"	21/32"
3805-6-4-6	3800-6-4-6	3/8"	1/4"	111/16"	29/32"
3805-8-6-8	3800-8-6-8	1/2"	3/8"	115/16"	1"
3805-8-8-8	3800-8-8-8	1/2"	1/2"	131/32"	11/4"
3805-10-8-10	3800-10-8-10	5/8"	1/2"	21/4"	11/4"
3805-12-12-12	3800-12-12-12	3/4"	3/4"	215/32"	111/32"
3805-14-12-14	3800-14-12-14	7/8"	3/4"	29/16"	111/32"
3805-16-16-16	3800-16-16-16	1"	1"	215/16"	15/8"
3805-20-20-20	3800-20-20-20	1 1/4"	1 1/4"	35/32"	111/16"
3805-24-24-24	3800-24-24-24	1 1/2"	1 1/2"	331/32"	21/16"
3805-32-32-32	3800-32-32-32	2"	2"	413/32"	23/8"

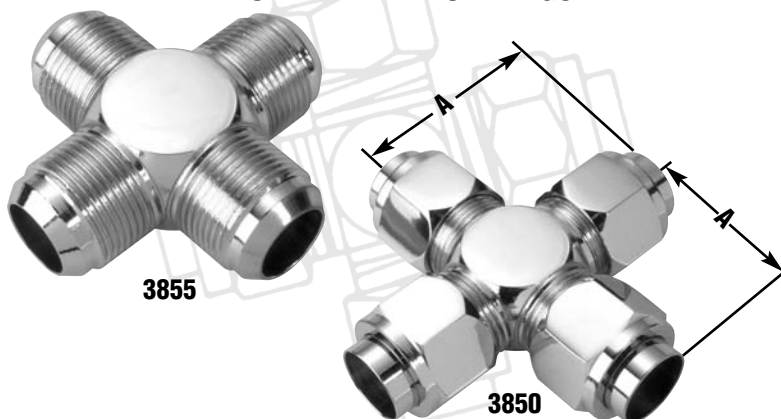
3805 / 3800 FEMALE RUN TEE FLARE TUBE END - FEMALE PIPE END - FLARE TUBE SIDE OUTLET



3855 / 3850 • Tube Cross

Body Only Part No.	Complete Assem. Part No.	Tube O.D.	"A" (Tube Leg)
3855-4	3850-4	1/4"	19/32"
3855-5	3850-5	5/16"	13/8"
3855-6	3850-6	3/8"	117/32"
3855-8	3850-8	1/2"	125/32"
3855-10	3850-10	5/8"	23/32"
3855-12	3850-12	3/4"	21/4"
3855-14	3850-14	7/8"	27/16"
3855-16	3850-16	1"	219/32"
3855-20	3850-20	1 1/4"	229/32"
3855-24	3850-24	1 1/2"	37/16"
3855-32	3850-32	2"	43/16"

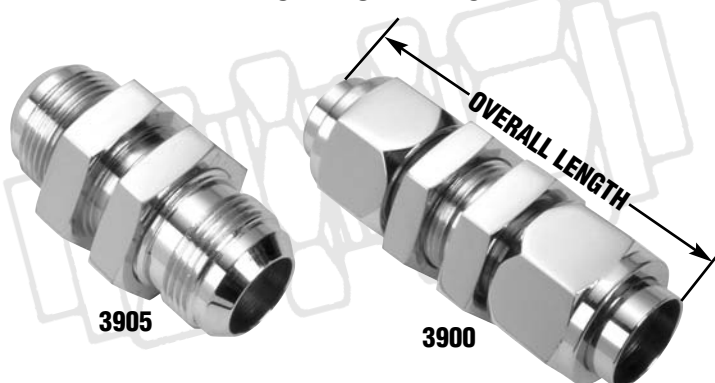
3855 / 3850 TUBE CROSS FLARE TUBE END - ALL OPENINGS



3905 / 3900 • Bulkhead Union

Body Only Part No.	Complete Assem. Part No.	Tube O.D.	Bulkhead Hole Diameter	Overall Length
3905-4	3900-4	1/4"	15/32"	227/32"
3905-5	3900-5	5/16"	17/32"	229/32"
3905-6	3900-6	3/8"	19/32"	31/8"
3905-8	3900-8	1/2"	25/32"	317/32"
3905-10	3900-10	5/8"	29/32"	4"
3905-12	3900-12	3/4"	13/32"	49/32"
3905-14	3900-14	7/8"	17/32"	49/16"
3905-16	3900-16	1"	111/32"	523/32"
3905-20	3900-20	1 1/4"	121/32"	57/32"
3905-24	3900-24	1 1/2"	129/32"	511/16"
3905-32	3900-32	2"	217/32"	617/32"

3905 / 3900 BULKHEAD UNION FLARE TUBE-BOTH ENDS



Maximum Bulkhead Thickness 3/8"

For body only, change the last number preceding the dash of part number from 0 to 5. Example: 3100-12-12 becomes 3105-12-12.

LENZ • P.O. BOX 1044 • DAYTON, OHIO 45401-1044 • PHONE: 937/277-9364 • FAX: 937/277-6516
OFFICE & FACTORY • 3301 KLEPINGER ROAD • DAYTON, OHIO 45406-1842
INTERNET: <http://www.lenzinc.com>